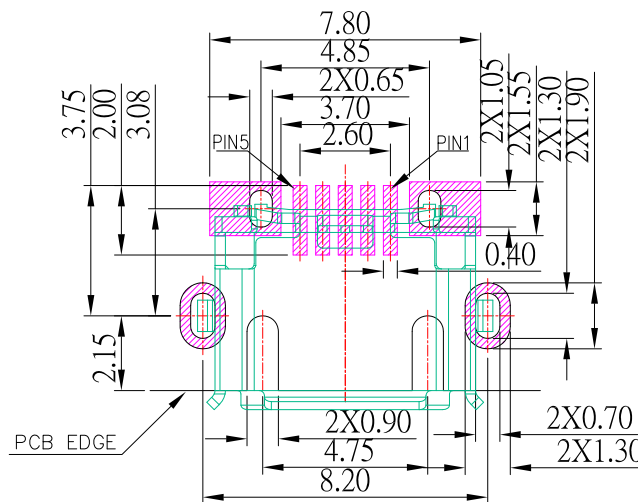
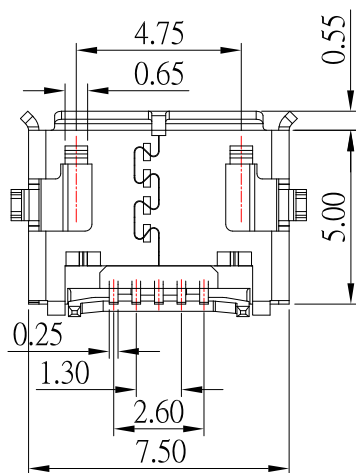
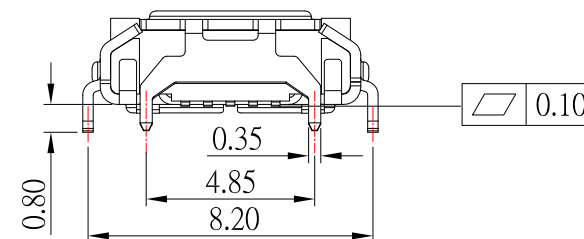
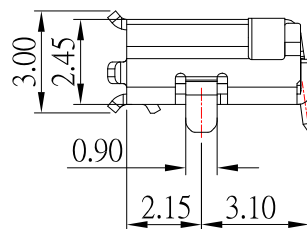
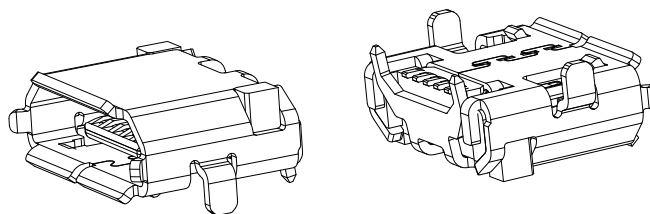
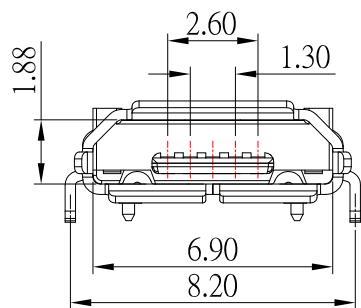




# MRUSB-5B-RV6x-S331

SHELL 鍍層:

TN
NI



P.C.B LAYOUT MOUNTING PATTERN

NOTES:

MATERIAL:

- 1.1 HOUSING: LCP,Black
- 1.2 CONTACT: BRASS
- 1.3 SHELL: SUS

Finish:

- 2.1 Contact: Plated Gold in Mating Area ;  
Gold Plated on Solder Balls  
Nickel under plated overall
- 2.2 Shell: Tin under Plated surface layer

3.SPECIFICATION:

- 3.1 RATING: 30V AC , 0.5 A(2,3,4 pin) ; 1.8 A(1,5 pin)
- 3.2 DIELECTRIC WITHSTANDING VOLTAGE: 250 VAC
- 3.3 CONTACT RESISTANCE: 30 mΩ MAX.
- 3.4 INSULATION RESISTANCE: 100 MΩ MIN.
- 3.5 TEMPERATURE RANGE: -30°C ~ +85°C

ITEM NO.	DESCRIPTION	DRAWN	DATE
1	新增SHELL鍍層選項及更新pcb layout	Jack	022519

**CONTACT** 建倚科技股份有限公司  
**CONTACT TECHNOLOGY CORP.**

TOLERANCE UNLESS OTHERWISE STATED:	Up to 5 ±0.2	Above 5 ~ 15 ±0.3	Above 15 ~ 30 ±0.4	Above 30 ~ 50 ±0.5	Angle ±0.3°
	3RD. ANGEL'S	UNITS	MM		

DRAWN BY:	DATE	MAT'L	TITLE	CONNECTOR
Jack Lu	02/25/19			
CHECKED BY:	DATE	FINISH	MODLE	MICRO USB 反向 外殼4 腳插板 (PH8.2-4.85mm)
Jacky Chen	02/25/19			
APPROVED BY:	DATE	SCALE	DWG NO.	MRUSB-5B-RV6x-S331
Tony Kao	02/25/19	1 : 1		
		SHEET NO.	PART NO.	MRUSB-5B-RV6x-S331
		1 of 1		
				SIZE A4
				VER R